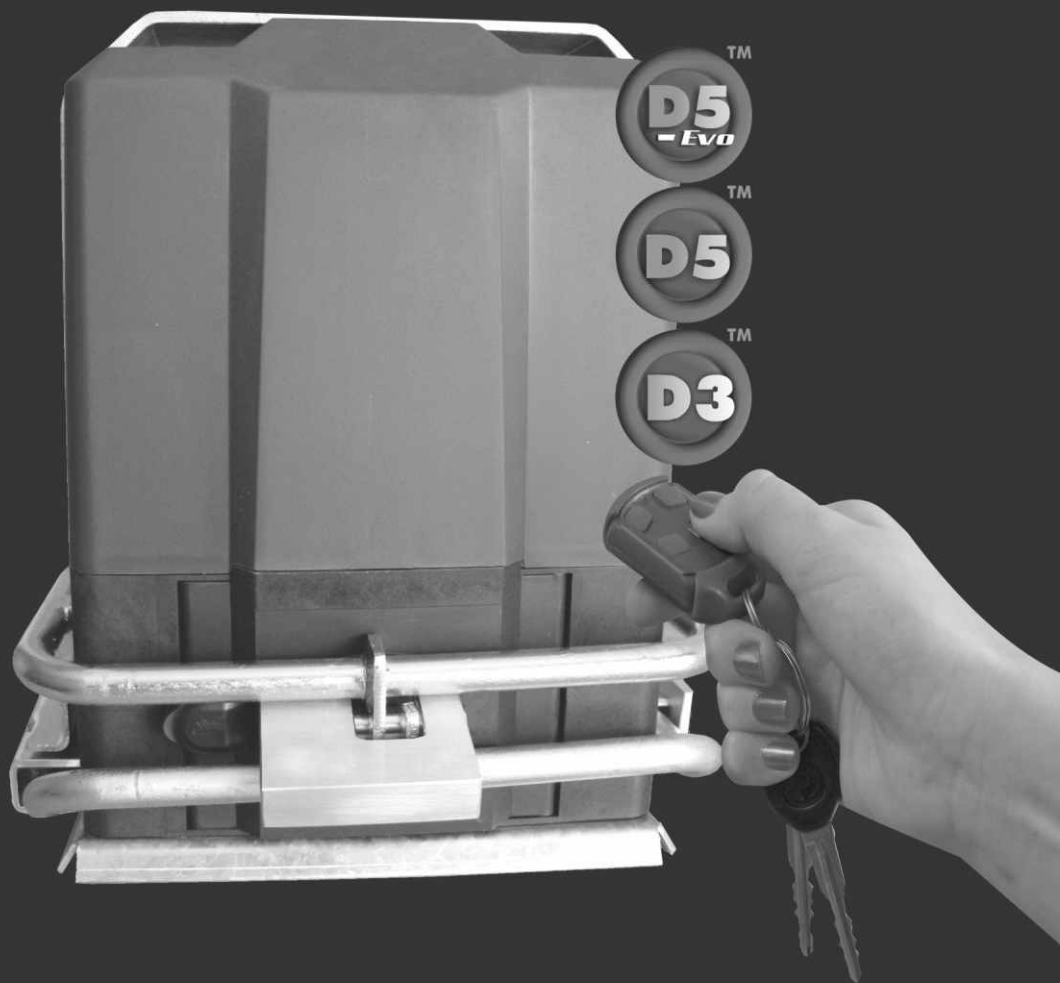


Theft-resistant kit
installation guide



**THEFT-RESISTANT
KIT**

1. General description

The CENTURION **Theft-resistant Kit**, consisting of the **Theft-resistant Cage** and **Thumbwheel Guard**, is designed to significantly reduce the risk of an intruder gaining access to the operator and increases the resistance of the unit against theft.

Designed as a complement to the **Theft-resistant Cage**, the **Thumbwheel Guard** combats a certain modus operandi of criminals whereby they insert the tip of a screwdriver into the operator's manual release access door and use it to turn the thumbwheel, thereby making it possible to push the gate open manually.



The **Thumbwheel Guard** can be purchased as a standalone item

Disclaimer: Due to continuous improvement in the design and manufacture of this product, the actual product may differ slightly in appearance to that which is depicted herein. Centurion Systems (Pty) Ltd cannot be held liable under any circumstance for any damage, loss or action that results from your gate operator being tampered with.

It is important that the theft-resistant cage is properly fitted as per the instructions given and that a suitable lock is fitted. Please note that a lock is not supplied in this kit. CENTURION recommends using a insurance-approved discus-type lock.

2. Product identification

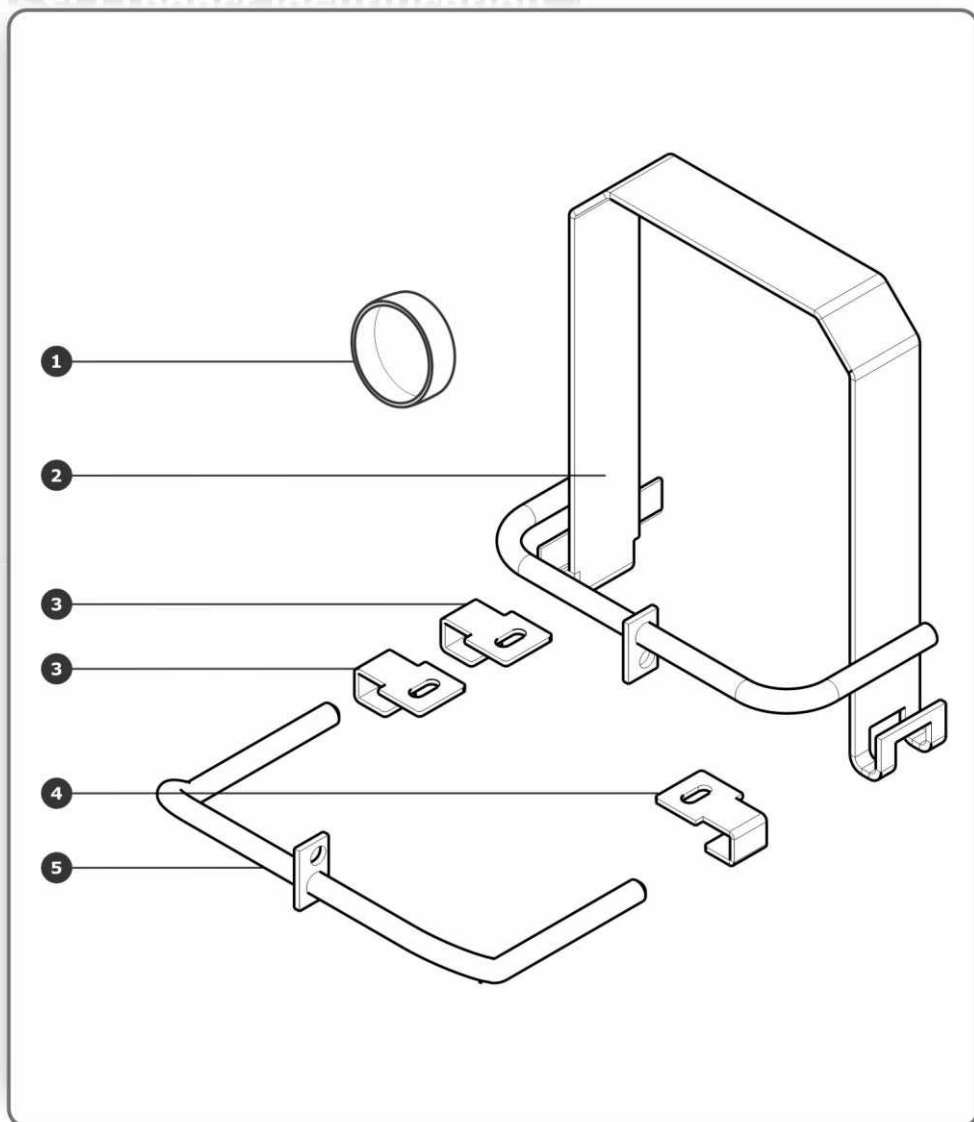


FIGURE 1. THUMBWHEEL GUARD AND THEFT-RESISTANT CAGE PARTS IDENTIFICATION

- | | |
|---------------------|--------------|
| 1. Thumbwheel Guard | 4. Bracket |
| 2. Overstrap | 5. Front bar |
| 3. Bracket | |

3. Fitting the Thumbwheel Guard



1. Use your key to open the access door to the manual override thumbwheel.



2. Ensure that the gearbox is engaged by turning the thumbwheel anti-clockwise before fitting the **Thumbwheel Guard**. It must not be possible to move the gate by hand.



3. Place the **Thumbwheel Guard** over the manual release thumbwheel.



4. Close and lock the access door again.

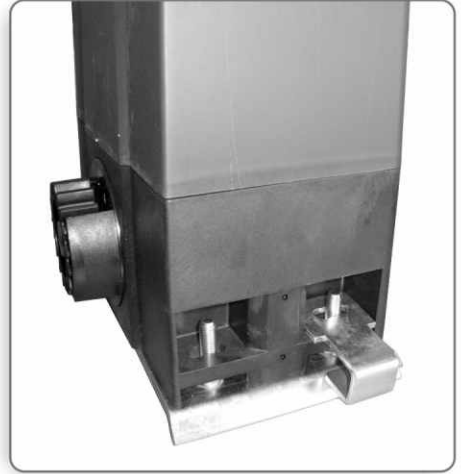


5. Take care when closing the camlock cover so as to prevent the ingress of dirt.

4. Fitting the Theft-resistant Cage

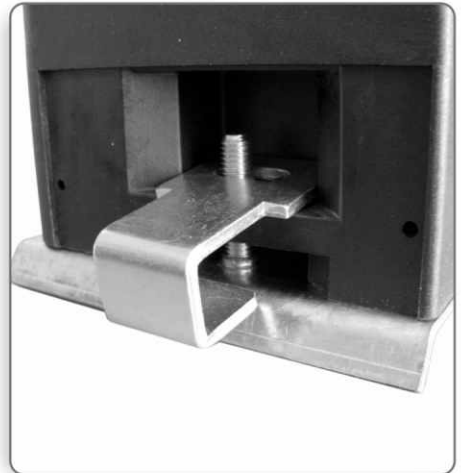


It is important that the **Theft-resistant Cage** is properly fitted as per the instructions given and that a suitable lock is fitted. Please note that a lock is not supplied in this kit. CENTURION recommends using an insurance-approved discus-type lock.



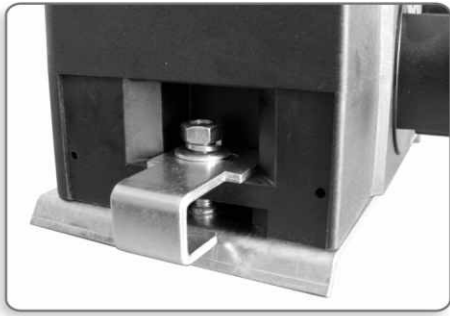
1. **IMPORTANT!** For magnetic origin operator models, relocate gate magnet as close as possible to operator cover and reset gate Limits.

2. Remove side vents, retaining nuts and washers. Fit a bracket to each of the left hand side retaining studs.

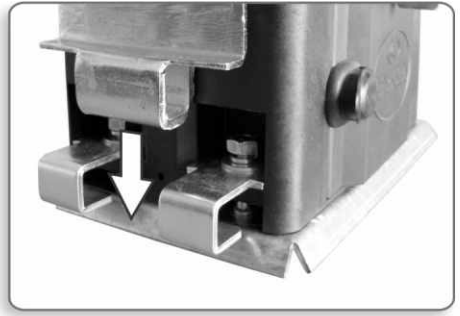


3. Re-fasten the washers and nuts to the retaining studs to secure the brackets.

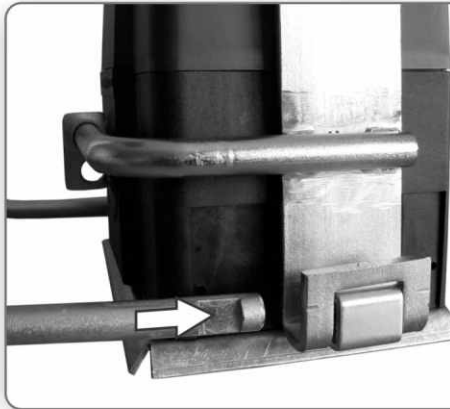
4. Fit bracket on to the right hand side retaining stud.



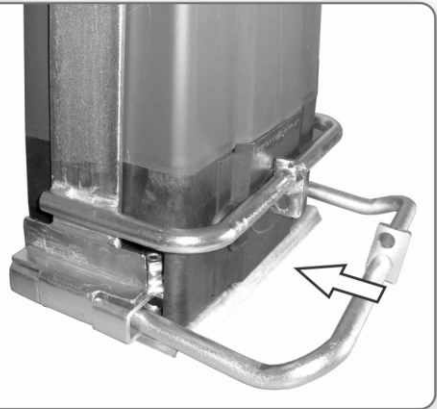
5. Re-fasten the washer and nut to the retaining stud to secure the bracket.



6. Slide overstrap over motor cover, making sure it engages correctly with the brackets on both sides of the operator.



7. Fit the front bar to the assembly by feeding both legs of the bar through the bracket and overstrap.



8. With the front bar fully engaged with the overstrap, secure the assembly by locking a good quality padlock through the aligned barrel holes on the overstrap and front bar.

Notes

Notes





CENTURION



0.07.A.0185_06082013

www.centsys.com